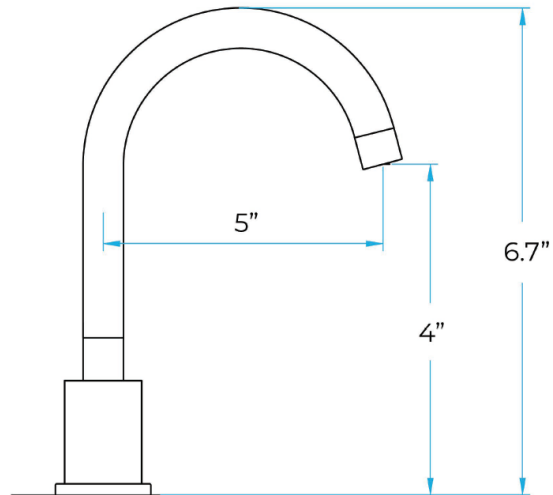
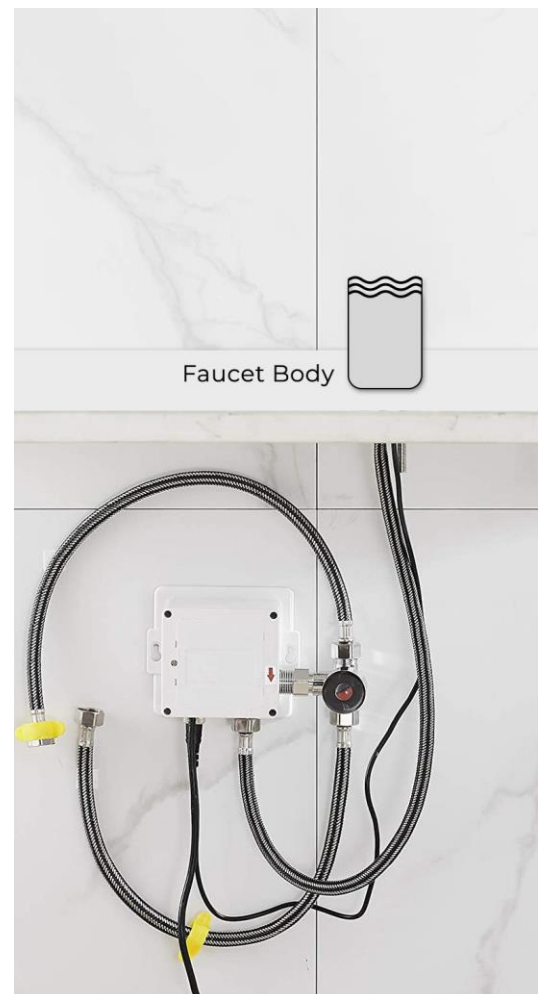


## MARSALA SOLID BRASS DECK MOUNT COMMERCIAL AUTOMATIC FAUCET IN BRUSHED NICKEL FINISH SPECS



### Specs:

- Power: DC:6V(4AA alkaline battery)
- AC:220V-240V; 50/60HZ
- Temperatur adjustable 0 °C ~ 60 °C
- Detection Zone: 16-32 cm or adjustable
- Motor valve lifespan: up to 500000 flushes
- Battery lifespan: 100000 cycles
- Static Power Consumption: 0.36mw
- Working Power consumption: 0.5mw
- Inductive Opening Time: < 1 second
- Inductive Closing Time: < 2 second
- Dia.of inlet / outlet pipe: G1/2"
- Flux:  $\geq 0.07L/S$
- Dia of installing faucet: 33~35mm
- Water Pressure: 0.05Mpa-1.2Mpa



[Visit Product Page](#)